

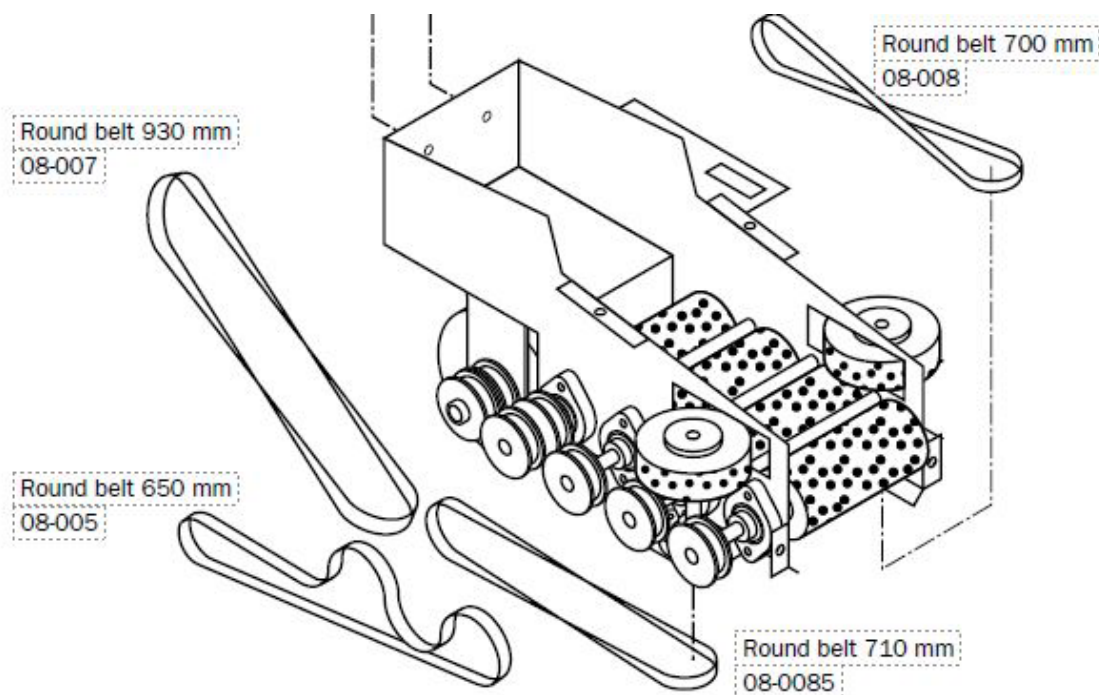
# HEUTE Solamat machine maintenance

## Is your machine still running properly?



Easy Guide to  
repair and  
overhaul

# Brushes do not move correctly?



⇒ Belt(s) may have jumped off because

- a) worn down or
- b) too high pressure on brush during cleaning process

[View our Swedish partner put on the belt on Youtube](#)

or check out the [instruction manual](#) (page 9-10).

Google account needed, or [download the instruction manual as PDF](#) (page 9/10).

For assistance, ask your dealer or contact [info@heute-gmbh.de](mailto:info@heute-gmbh.de)

Belt, size 710V, Art. no. 0080085 (Solamat 90/100/200)

Belt, size 930V, Art. no. 0080070 (Solamat 90/100/200)

Belt, size 700V, Art. no. 0080080 (Solamat 90/100/200)

Belt, size 650V, Art. no. 0080050 (Solamat 100/200 only)

# Brushes look bad?



- a) clean them or
- b) replace them

Check out the [instruction manual](#) (page 7-9) - Google account needed, or [download](#) the instruction manual as PDF

For assistance, ask your dealer or contact [info@heute-gmbh.de](mailto:info@heute-gmbh.de)

Sole cleaning brush nylon black, Art. no. 0010030

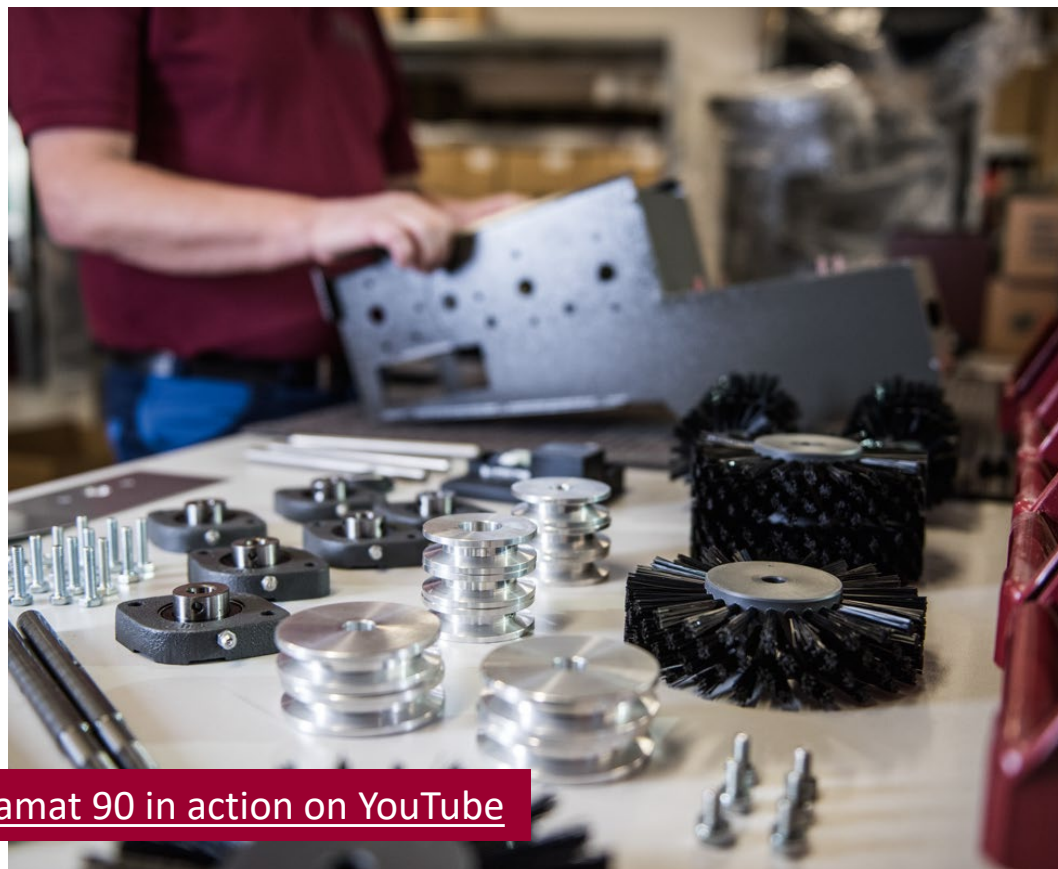
1 set of 4 brushes

Edge cleaning brush nylon black, Art. no. 0010150

1 set of 2 brushes

Upper brush, horse hair brown, Art. no. 0010350

# Other spare parts needed?



[View Solamat 90 in action on YouTube](#)

HEUTE guarantees for 20 years of spare part availability.

Find the spare parts drawing for Solamat 90 [here](#) and for Solamat 100 and 200 [here](#)

For assistance, ask your dealer or contact [info@heute-gmbh.de](mailto:info@heute-gmbh.de)



Your contact:

Philipp Naumann

Head of Sales

Tel.: +49 (0)212 - 380 31 12

[Philipp.Naumann@heute-gmbh.de](mailto:Philipp.Naumann@heute-gmbh.de)

